

VHF FM Amplifiers NU002-V2/V7/V8

for VHF FM transmitters and transposers from 20 to 200 W

Amplifiers V2, V7 and V8 of the versatile NU002 plug-in system from Rohde&Schwarz generate the required output power for the coverage of small areas. They are available as 20-W, 100-W and 200-W plug-ins. For transmitters of higher output power the amplifiers can also be used as exciters, the 20-W version being sufficient in most cases.

The modulators of the NU002 system provide 10-mW output signals. This is sufficient for driving amplifier plug-ins whose output stages are based on MOSFETs.

A lowpass filter at the output of each amplifier ensures high harmonic suppression. All amplifiers have their own power supply. Built-in fans of a

particularly long lifetime provide for the cooling of the power stages. A control circuit prevents mismatch at the output and excessive temperatures.

Supply voltage as well as forward and reflected power are displayed on the front panel. Faults are signalled at floating contacts.

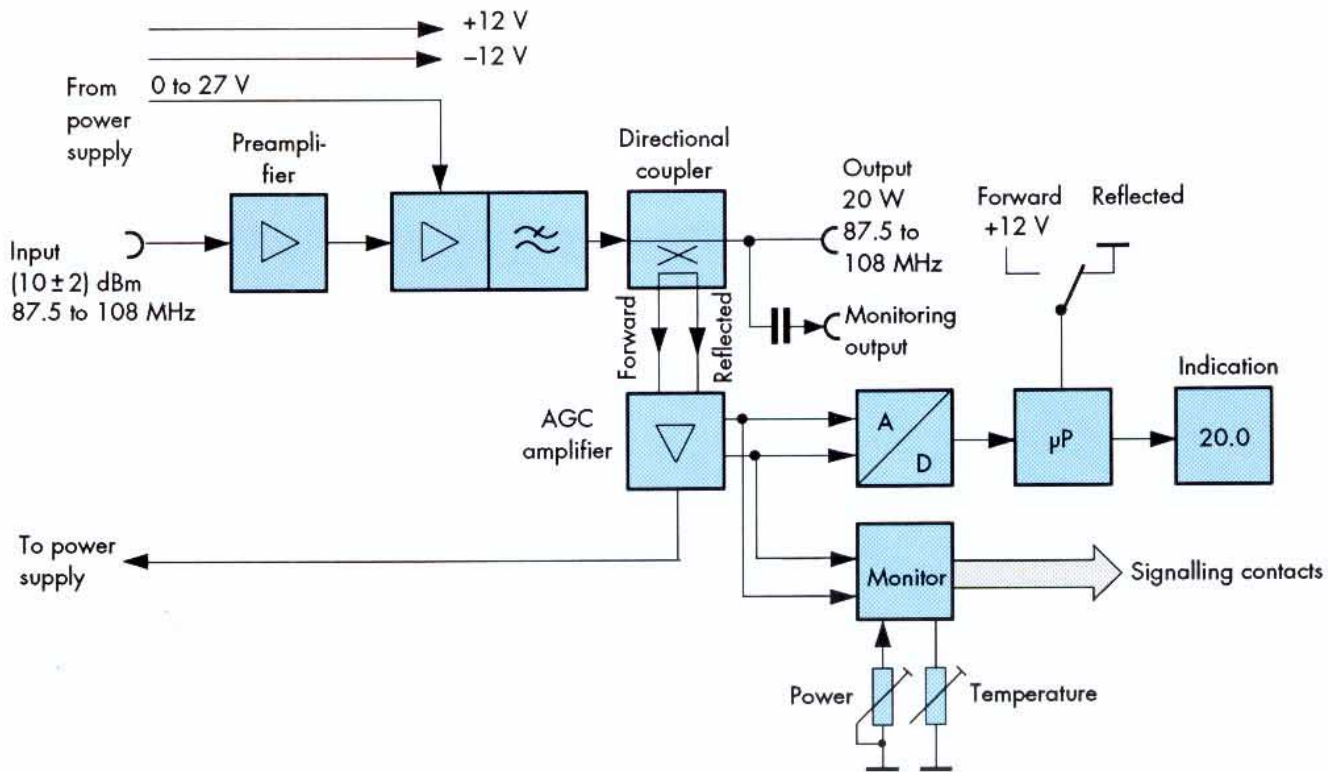
Specifications

	NU002-V2	NU002-V7	NU002-V8
RF input			
Frequency range	87.5 to 108 MHz	87.5 to 108 MHz	87.5 to 108 MHz
Input level	(10 ± 2) dBm	+6 to +13 dBm	+6 to +13 dBm
Input impedance	50 Ω	50 Ω	50 Ω
Return loss	≥15 dB	≥15 dB	≥15 dB
Connector	SMA	SMA	SMA
RF output			
Output power (settable)	0 to 25 W	50 to 100 W	100 to 200 W
Output impedance	50 Ω	50 Ω	50 Ω
Connector	SMA	N	N
Max. SWR	1:1.5	1:1.5	1:1.5
Harmonic suppression	>60 dB	>60 dB	>60 dB
Spurious signals			
f ±10 kHz	>80 dB	>50 dB	>50 dB
f ±150 kHz	>80 dB	>70 dB	>70 dB
87.5 to 108 MHz	>85 dB	>85 dB	>85 dB
Signalling lines			
Signal for			
Power below rating	-2/-12 dB	-2/-12 dB	-2/-12 dB
Faulty fan	yes	yes	yes
General data			
Rated temperature range	0 to +40 °C	0 to +40 °C	0 to +40 °C
Operating temperature range	-5 to +45 °C	-5 to +45 °C	-5 to +45 °C
Storage temperature range	-40 to +70 °C	-40 to +70 °C	-40 to +70 °C
Power supply	230 V ±10%, 47 to 63 Hz (50 VA)	230 V ±10%, 47 to 63 Hz (300 VA)	230 V ±10%, 47 to 63 Hz (500 VA)
Dimensions (W x H x D)			
with power supply	38 mm x 208 mm x 502 mm	114 mm x 208 mm x 502 mm	152 mm x 208 mm x 502 mm
without power supply	38 mm x 208 mm x 377 mm	-	-
Weight	2.7 kg	10 kg	14 kg

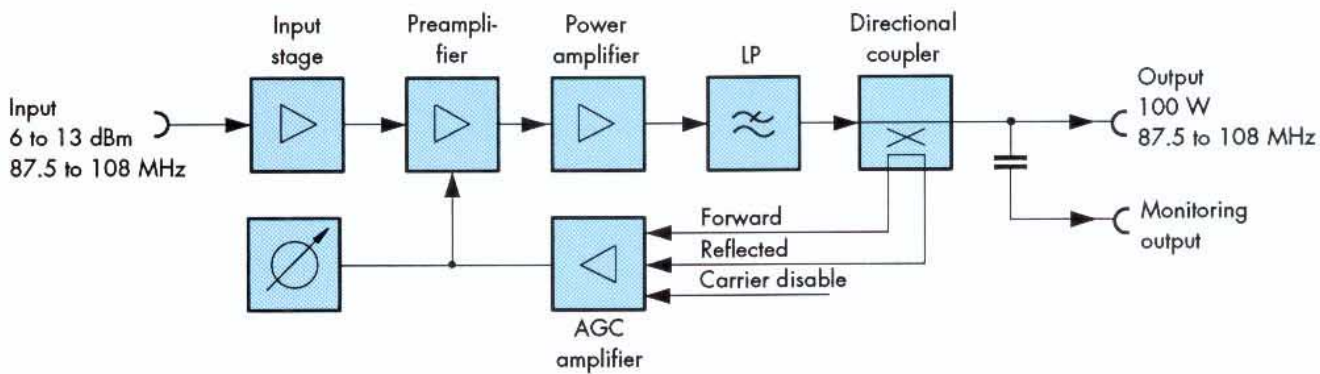
Ordering information

20-W VHF FM Amplifier with power supply	NU002-V2	2032.5300.02
without power supply		2032.5352.02
100-W VHF FM Amplifier with power supply	NU002-V7	2032.7503.02
200-W VHF FM Amplifier with power supply	NU002-V8	4032.8502.02





Block diagram of NU002-V2



Block diagram of NU002-V7



ROHDE & SCHWARZ

Rohde & Schwarz GmbH & Co. KG · Mühlhofstraße 15 · 81671 München · Germany
Telephone +4989 4129-0 · Fax +4989 4129-3567